

Pesch Marinescheinwerfer

CERTIFICATE OF INSPECTION AND TESTS

This is to certify that

a specimen of an electric daylight signalling lamp „TGS 185 - 24V-50W made by

**Pesch Marinescheinwerfer
Ortsring 2
D - 21423 Winsen/Luhe**

and described in the schedule has been examined and tested by the manufacturer.

The specimen No. _____ examined and tested is acceptable for the purpose of the compliance with the requirements of Regulation 11 Chapter 5 of the International Convention for the Safety of Life at Sea 1974.

Pesch Marinescheinwerfer

H.-P. Pesch

Pesch Marinescheinwerfer

CERTIFICATE OF INSPECTION AND TESTS

page 1

THE SCHEDULE

The following specification applies to the SEEMATZ Pesch Marinescheinwerfer electric daylight lamp „ TGS 185 „

Name of Manufacturer:	Pesch Marinescheinwerfer
Identification Marks:	On back of the lamp, rectangular plate marked: Pesch Marinescheinwerfer, Ortsring 2, D-21423 Winsen/Luhe, Germany Type Prot. System Serial No.
Lamp Housing:	Polyester (GFK), handle of aluminium ALMg3
Open Sights:	Aluminium ALMg3 with rubber eye-piece
Front Cover Glass:	Temperature resistant bi-vectral safety-glass retained and sealed in silicone. Glas fixed with 4 supports, 2 of which are provided with a fixture for the red & green filter.
Fitting:	For carrying case of nickel-plated brass.
Screws:	Screws are made of V2A
Reflector:	Parabolic type, effective area 158mm Ø x 25mm focus, super-purity aluminium electrically processed and brightened.
Lampholder:	Socket G 6.35
Signalling:	Via micro switch in handle.
Light Source:	One halogen lamp with pin base: 12V - 50W 12V - 100W 24V - 50W 24V - 100W average life time: 2000 hours
Connection with:	3m (max. 5m) flexible qwpk 2 x 1.0 mm cable a watertight plug is connected to the lamp.

Pesch Marinescheinwerfer

CERTIFICATE OF INSPECTION AND TESTS

page 2

THE SCHEDULE

- Filters:** **The filters are fitted with 2 push-button fastenings to permit rapid fixing and releasing from lamp.**
- Finish:** **The lamp housing is of coloured polyester, yellow and handle and sights are painted in black.**
- Carrying Case:** **Aluminium case with fittings and carrying handle. The inside of the case is covered with velvet material.**

Approximate Weights:

- | | |
|--|----------------|
| Lamp with cable and plug: | 1,8 Kg. |
| Carrying case complete with lamp: | 2,5 Kg. |

Pesch Marinescheinwerfer

Operating manual TGS 185 24V - 50W

page1
edition 10-05

1.) Construction features

Searchlight is made of polyester (GFK), all screws of V2A . Handle and open sights are of aluminium, pane fastener of aluminium.

2-) Reflector

Purest aluminium 99,99%, anodic high-polished, diameter 180mm.

3-) Front pane

Bi-Vectral glass, resistant to temperature changes, diameter 180mm.

4-) Seals

Silicone tube, 6mm

5-) Lamp socket

Plug socket G 6.35, on adjusting ring.

6-) Electrical equipment

Halogen lamp	24V - 50W
Burning position	vertical
Signalling switch	in handle

7-) Searchlight

Case	Polyester
Weight	1.800 Kg.
Connection cable	3m max. 5m
Two-Pin plug	standard
Plug, special model	possible
Protective system	IP 56
Average burning life	2000 hours
Range at 1 Lux. I max 2°	500m
Daylight range	12Km
Night range	50Km
Signalling	via switch
Filter red or green or blue	available

Pesch Marinescheinwerfer

Operating manual TGS 185 24V - 50W

page2
edition 10-05

8-) Carrying case

Carrying case	aluminium
Outfit	carrying handle and clamping device
Interior outfit	velvet material and partition panel
Weight without TGS	2,50 Kg.
Weight with TGS	4,30 Kg.
Length	450mm
Width	220mm
Height	200mm

9-) Non-telescopic open sights

Cut-open sights with protecting eyepiece, rotatable right/left

10-) Utilization

Take out SEEMATZ-TGS of carrying case (if delivered) and connect plug with socket outlet. Take the handle of the SEEMATZ-TGS with your right hand and secure the searchlight by putting your left hand above the open sight. Look with your right eye through open sights and aim at the object. Now you can signal by pressing the switch in you handle with your index. Left-handers take handle in their left hand and put right hand above open sight after having rotated the eye protecting rubber. For placing the SEEMATZ-TGS there is a hole of 21mm Ø on the bottom side of the handle. If you want a holding component use a 20mm Ø pin with a length of 100 - 120mm.

You can place the filter at any time on the front of the SEEMATZ-TGS. Pull push buttons of the desired filters with thumb and index upward and press the bottom side of push-button on the receiving pieces situated on the SEEMATZ-TGS. Take care that push-buttons are well inserted to avoid loosing the filter. To remove the filter just lift push-buttons.

11-) Change of lamps

Remove the 4 pane fasteners by unscrewing the M4 screws. Take out pane, tilting the SEEMATZ-TGS forward. Remove defect lamp with paper or cloth and replace a new one. Only use lamps tested by the manufacturer, order no. 001. Take care that reflector does not get dirty or damaged. In case it gets dirty, clean mirror with a clean, damp cloth and dry it afterwards. If the reflector is damaged, send it back to the manufacturer.
Adress: Pesch Marinescheinwerfer, Ortsring 2, 21423 Winsen, Germany

Pesch Marinescheinwerfer

Operating manual TGS 185 24V - 50W

page3
edition 10-05

12-) List of spare parts

Always state the serial number of your SEEMATZ-TGS in your orders.

Lamp 12V- 50W	TGS 1001
Lamp 12V-100W	TGS 2001
Lamp 24V- 50W	TGS 0001
Lamp 24V-100W	TGS 3001
Front pane	TGS 3002
Seal silicone	TGS 3003
Eye protection	TGS 3004
Front pane fastener, set with screws	TGS 3005
Lamp holder G 6,35	TGS 3006
Reflector	TGS 3007
Two-pin plug	TGS 3008
Filter red	TGS 3009
Filter green	TGS 3010
Filter blue	TGS 3011
Protection panel, black	TGS 3012
Carrying case	TGS 3013
TGS compl. with lamp, without case	TGS 3100

13-) Example of order

Quantity	Order No.	Serial No.
2	TGS 3001	9104432

Pesch Marinescheinwerfer

Operating manual

**Battery case with charger
230V - 24VDC - 7Ah**

page 1
edition 10-05

1-) Construction features

Aluminium carrying case with handle and quick-release snap and an incorporated battery and charger.

2-) Battery

2 batteries (not tilting) a' 12V / 7,5Ah.

3-) Charging unit

1 charger by SEEMATZ 230V - 24VDC - 7Ah

4-) Measurements

**Charger 7,0Ah:
Length = 310/344mm
Width = 200mm
Height = 190mm**

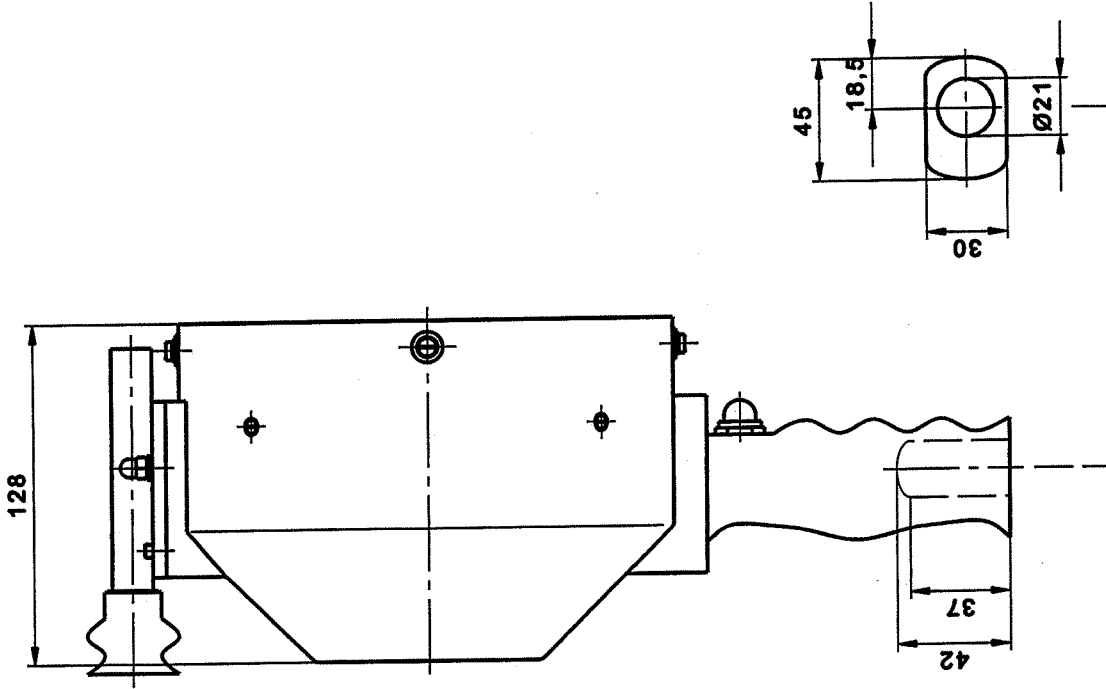
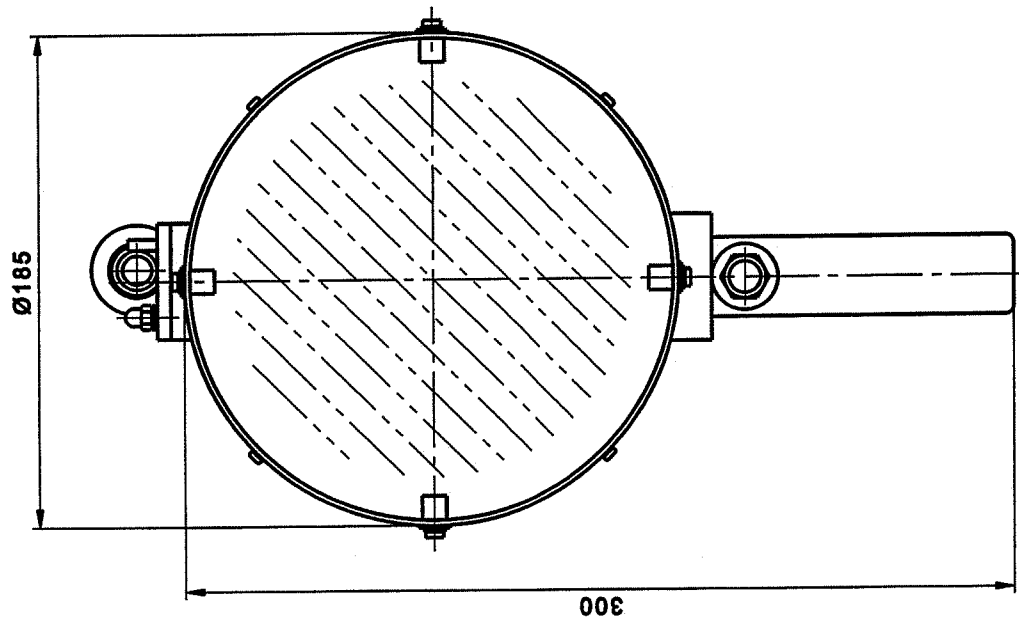
Weight = 6,0 Kg.

5-) Spare Parts

serial no. battery case _____

Bala complete	BALA 7-2450
carrying case	BALA 7-2451
Battery single	BALA 7-2452
Charging unit	BALA 7-2453

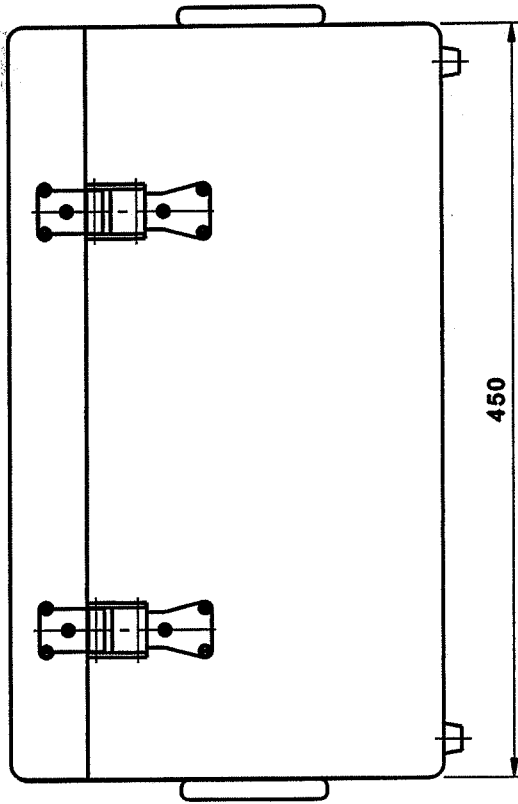
DO NOT FORGET THE SERIAL NO. !!!!!!!!!!!



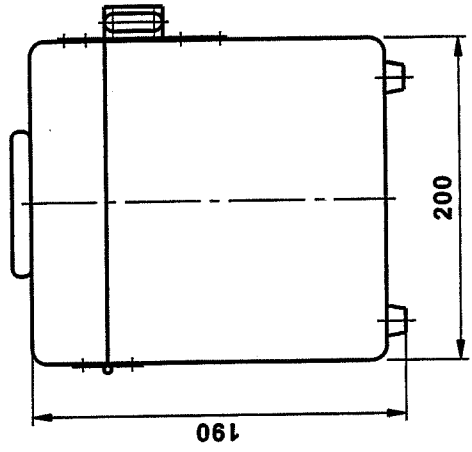
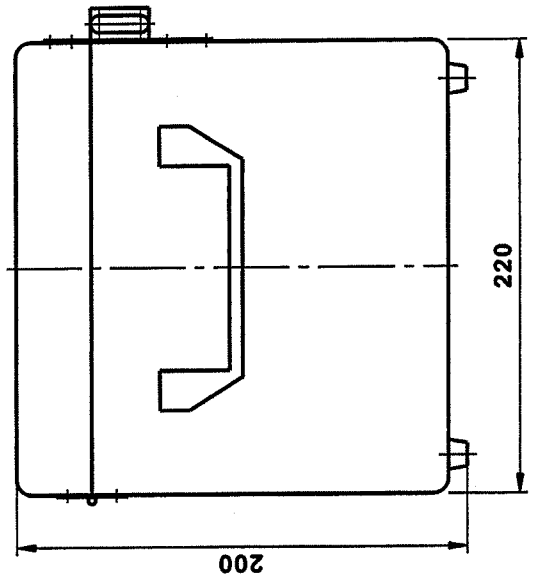
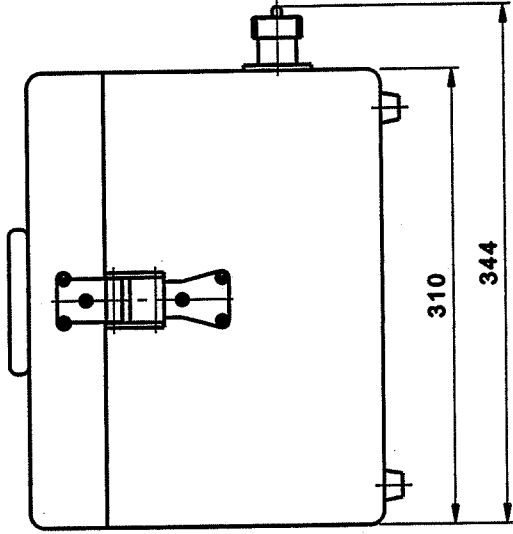
28.10.1999

SEEMATZ : Tagessignallampe
 Type : TGS 185

Lamp case



Charger & Battery case



28.10.1999

SEEMATZ : Tagessignallamp
Type : TGS 185