

Pesch Marinescheinwerfer
CERTIFICATE OF INSPECTION AND TESTS

This is to certify that

a specimen of an electric daylight signalling lamp „TGS 185 - 24V-100W made by

**Pesch Marinescheinwerfer
Ortsring 2
D - 21423 Winsen/Luhe**

and described in the schedule has been examined and tested by the manufacturer.

The specimen No. _____ examined and tested is acceptable for the purpose of the compliance with the requirements of Regulation 11 Chapter 5 of the International Convention for the Safety of Life at Sea 1974.

Pesch Marinescheinwerfer

H.-P. Pesch

Pesch Marinescheinwerfer
CERTIFICATE OF INSPECTION AND TESTS

page 1

THE SCHEDULE

The following specification applies to the SEEMATZ Pesch Marinescheinwerfer electric daylight lamp „ TGS 185 „

Name of Manufacturer:	Pesch Marinescheinwerfer
Identification Marks:	On back of lamp, rectangular plate marked: MP Pesch, Ursel Pesch Marinescheinwerfer, Ortsring 2, D-21423 Winsen/Luhe, Germany Type Prot. System Serial No.
Lamp Housing:	Polyester (GFK), handle of aluminium ALMg3
Open Sight:	Aluminium ALMg3 with rubber eye-piece
Front Cover Glass:	Temperature resistant bi-vectral safety-glass retained and sealed in silicone. Glas fixed with 4 supports, 2 of them are provided with snap fastener for the red & green filter.
Fitting:	For carrying case of nickel-plated brass.
Screws:	Screws are of V2A
Reflector:	Parabolic type, effective area 158mm Ø x 25mm focus, super-purity aluminium electrically processed and brightened.
Lampholder:	Socket Gx6.35
Signalling:	Via micro switch in handle.
Light Source:	One halogen lamp with pin base: 12V - 50W 12V - 100W 24V - 50W 24V - 100W average life time: 2000 hours
Connection:	3m (max. 5m) flexible qwpk 2 x 1.0 mm cable with watertight plug is connected to the lamp.

Pesch Marinescheinwerfer
CERTIFICATE OF INSPECTION AND TESTS

page 2

THE SCHEDULE

Filters:	The filters are fitted with 2 push-button fastenings to permit rapid fixing and releasing from lamp.
Finish:	The lamp housing is of coloured yellow polyester. Handle and sights are painted in black.
Carrying Case:	Aluminium case with fittings and two carrying handle. The case inside is covered with velvet material.
Approximate Weight:	
Lamp with cable and plug:	1,8 Kg.
Carrying case complete with lamp:	3,5 Kg.

Pesch Marinescheinwerfer
Operator's manuel TGS 185 24V - 100W

page1
edition 01-04

1.) Construction features

Searchlight is made of polyester (GFK), all screws of V2A . Handle and open sight are of aluminium, pane fastener of brass.

2-) Reflector

Purest aluminium 99,99%, anodic high-polished, diameter 180mm

3-) Front pane

Bi-Vectral glass, resistant to temperature changes, diameter 180mm

4-) Seal

Silicone tube, 6mm

5-) Lamp socket

Plug socket Gx 6.35, on an adjusting ring.

6-) Electrical equipment

Halogen lamp	24V - 100W
Burning position	vertical
Signalling switch	installed at handle

7-) Searchlight

Case	Polyester
Weight	1.800 Kg.
Connection cable	3m max. 5m
Two-Pin plug	standard
Plug, special model	possible
Protective system	IP 56
Average burning life	2000 hours
Range at 1 Lux. I max 2°	750m
Daylight range	20Km
Night range	50Km
Signalling	via switch
Filter red or green or blue	available

Pesch Marinescheinwerfer
Operator's manuel TGS 185 24V - 100W

page2
edition 01-04

8-) Carrying case

Carrying case	aluminium
Outfit	carrying handle and clamping device
Interior outfit	velvet material and partition panel at cover
Weight without TGS	1,70 Kg.
Weight with TGS	3,50 Kg.
Length	450mm
Width	220mm
Height	200mm

9-) Non-telescopic open sight

Cut-open sights with protecting eyepiece, rotatable right/left

10-) Handling of the TGS

Take out SEEMATZ-TGS of carrying case (if delivered) and connect plug with socket outlet. Take the handle of the SEEMATZ-TGS with your right hand and secure the searchlight by putting your left hand above the open sight. Use the sighting device to sight with one eye on an object. Now you can signal by pressing the switch in you handle with your index. Left-handers take handle in their left hand and put right hand above open sight after having rotated the eye protecting rubber. For placing the SEEMATZ-TGS there is a hole of 21mm Ø on the bottom side of the handle. If you want a holding component use a 20mm Ø pin with a lenght of 100 - 120mm.

You can place the filter at any time on the front of the SEEMATZ-TGS. Pull push buttons of the desired filters with thumb and index upward and press the bottom side of push-button on the receiving pieces situated on the SEEMATZ-TGS. Take care that push-buttons are well inserted to avoid loosing the filter. To remove the filter just lift the push-buttons.

11-) Change of lamp

Remove the 4 pane fasteners by unscrewing the M4 screws. Take out pane, tilting the SEEMATZ-TGS forward. Remove defect lamp with paper or cloth and replace a new one. Only use a lamp tested by the manufacturer, order no. 001. Take care that the reflector does not get dirty or damaged. In case it gets dirty, clean mirror with a clean, damp cloth and dry it. If the reflector is damaged, send it back to the manufacturer.

Adress: Pesch Marinescheinwerfer, Ortsring 2, 21423 Winsen, Germany
Phone: +49(0)4171-5684
e-mail: sales@seematz.de

Pesch Marinescheinwerfer
Operator's manual TGS 185 24V - 100W

page3
edition 01-04

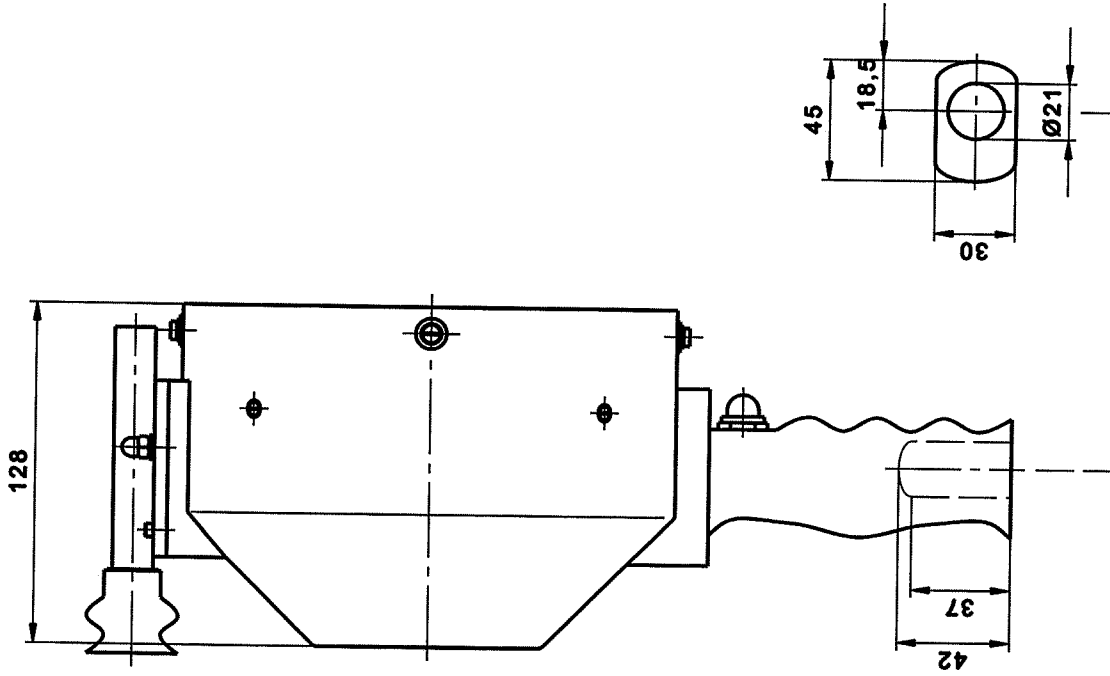
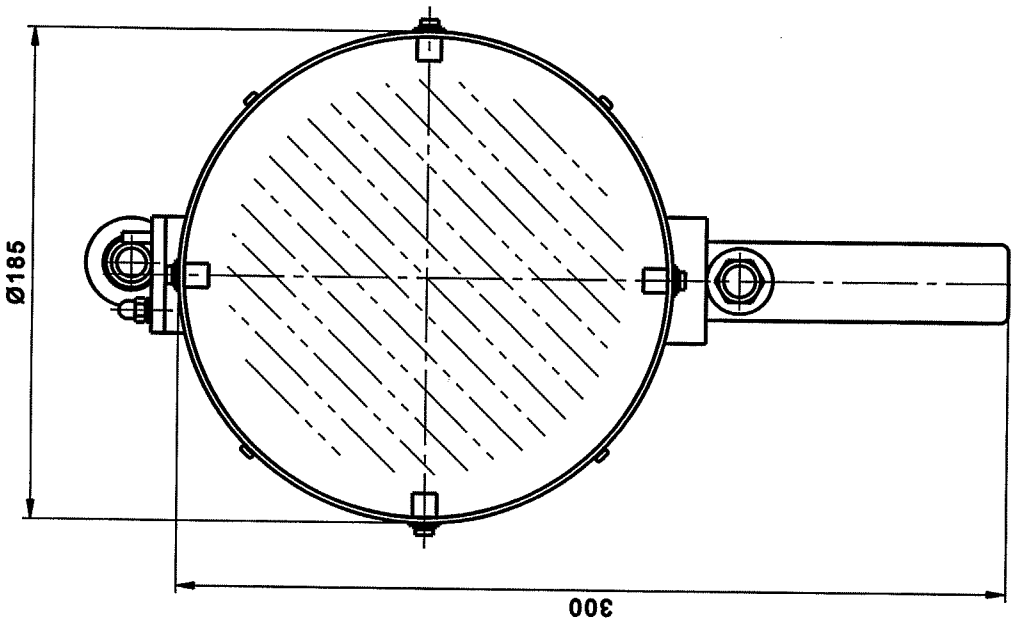
12-) List of spare parts

Always state the serial number of your SEEMATZ-TGS in your order.

Lamp 12V- 50W	TGS 1001
Lamp 12V-100W	TGS 2001
Lamp 24V- 50W	TGS 0001
Lamp 24V-100W	TGS 3001
Front pane	TGS 3002
Seal silicone	TGS 3003
Eye protection	TGS 3004
Front pane fastener, set with screws	TGS 3005
Lamp holder Gx 6,35	TGS 3006
Reflector	TGS 3007
Two-pin plug	TGS 3008
Filter red	TGS 3009
Filter green	TGS 3010
Filter blue	TGS 3011
Protection panel, black	TGS 3012
Carrying case	TGS 3013
Separate socket for two-pin plug	TGS 3014
Sighting device	TGS 3015
TGS compl. with lamp, without case	TGS 3100

13-) Example of order spare parts

Quantity	Order No.	Serial No.
2	TGS 3001	9104432



28.10.1999

SEEMATZ : Tagessignallampe
Type : TGS 185